

APPLICATION:

PRODUCT NAME:

**8" ADJ. WALL FAUCET**

JOB NAME:

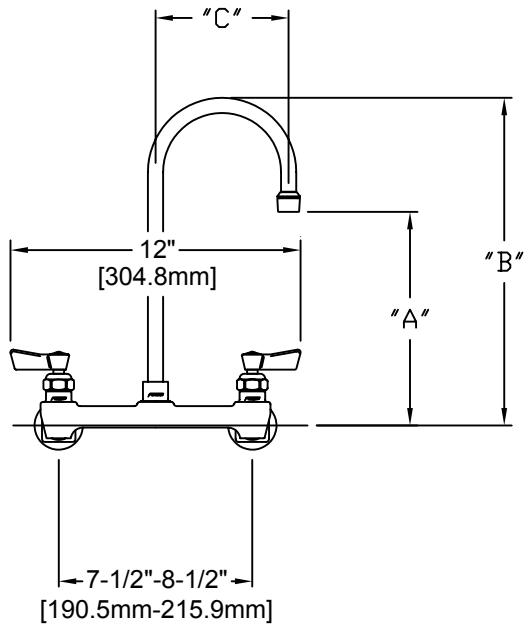
\_\_\_\_\_ SPECIAL CONFIGURATION  
(CHECK BASE MODEL AND OPTIONS)

QUANTITY:

ITEM NO.:

MODEL:

- 3256 W/ 12" RIGID GOOSENECK SPOUT
- 1953 W/ 6" RIGID GOOSENECK SPOUT



MODEL	DIM "A"	DIM "B"	DIM "C"
3256	8-1/4" [209.6mm]	12-1/4" [311.2mm]	5-1/2" [139.7mm]
1953	4-1/2" [114.3mm]	8-1/16" [204.8mm]	3-1/2" [88.90mm]

OPTIONS OR MODIFICATIONS:

- SUPPLY LINES (24" OR 36") CIRCLE LENGTH
- NIPPLES
- ELBOWS
- VANDAL RESISTANT KIT
- HANDLES (CROSS OR WRIST) CIRCLE STYLE
- OTHER \_\_\_\_\_

FEATURES:

**CONTROL VALVE**

- \* ECCENTRICS ADJUST FROM 7-1/2" TO 8-1/2"
- \* SWIVELLING SEAT DISKS
- \* HOT SIDE STEM - RIGHT HAND, COLD - LEFT HAND
- \* STAINLESS STEEL SEATS
- \* STAINLESS STEEL SEAT SCREWS
- \* STAINLESS STEEL HANDLE SCREWS

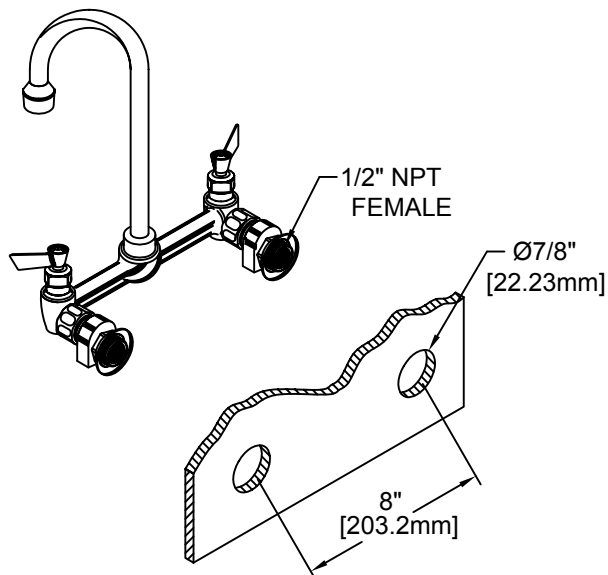
**SYSTEM LIMITS**

- \* TEMP: 40°F MIN. TO 140°F MAX.
- \* PRESSURE 200 PSI MAX. STATIC
- \* 2.20 GPM @ 60 PSI

**SHIPPING WEIGHT**

- \* 3.5 LBS

ROUGH-IN:



ANSI/A112.18.1M, ANSI/NSF 61.9



FISHER MANUFACTURING COMPANY  
TOLL FREE: 800-421-6162 - FAX: 800-832-8238  
information@fisher-mfg.com - www.fisher-mfg.com